

Clubmaster 225

Clubmaster is a great main court alternative for clubs, universities, and recreational leagues of all levels – and it's the perfect side court unit for top competition gyms and arenas. The only down-sized unit on the market that uses the same size main beam as a competition unit, the Clubmaster is so strong it can support a competition level glass backboard and breakaway rim a full 225cm away from the front of the base – for safe clearance when play becomes spirited.

Framed, tempered glass backboard and dunk ring

Main beam long and strong enough for spirited play, including dunking.

Neck pad shown is optional.
Article: S6.50430

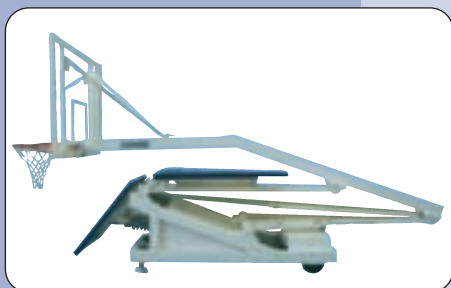
Infinitely height adjustable for youth play.

Side pads shown are optional.
Article: S6.S0440

Rear anchor standard.

Options available on clubmaster 225:

- DSF Dynamic Sub Frame (standard model is equipped with locking pedestal feet)
- 165cm backboard projection instead of 225cm.
- acrylic or fibreglass backboard
- side paddings to the base frame
- front locator pins for perfect positioning and excellent stability
- neck pad
- lever lift



Storage position

Ease of manoeuvrability



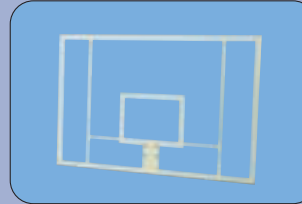
Special colours like green are optional



Green: special colour is optional



As a cheaper version Clubmaster 225 can also be supplied with either see-through acrylic or fibreglass Backboard.



Clubmaster 225

Standard frame padding colour is blue; other colours available at slight extra cost – see S6.S1101

Clubmaster 225

Supplied with floor anchoring system. Framed tempered glass backboard with backboard padding. Pro Strength collapsible goal. Anti-whip net. 225cm projection. With floor pedestals. Per unit. Article: S6.S0406

Clubmaster 225

Like S6.S0406 however equipped with 180 x 105cm see-through acrylic backboard mounted on double steel frame; includes backboard padding. Per unit. Article: S6.S0414

Clubmaster 225

Like S6.S0406 however equipped with rectangular white fibreglass backboard 180 x 105cm; includes backboard padding. Per unit. Article: S6.S0416 Price on demand

Optional extras

Set of 2 side paddings for base frame of one Clubmaster. Article: S6.S0440

Clubmaster 225

also available with fixed ring.

Order: - S6.S0406F

- S6.S0414F

- S6.S0416F

Supplement for executing SAM / Clubmaster backstop with DSF®

(Dynamic Sub Frame) single step set-up mechanism instead of locking floor pedestals.

Per unit

Article: S6.S8000

Special colour padding for Clubmaster backstop.

Choose from (A) green, (B) black, (E) red. Per unit.

Article: S6.S1101

Supplement for double swivel wheels (under front of base frame)

instead of single wheels for one SAM 245 or SAM 325 or Clubmaster backstop.

Article: S6.S0571

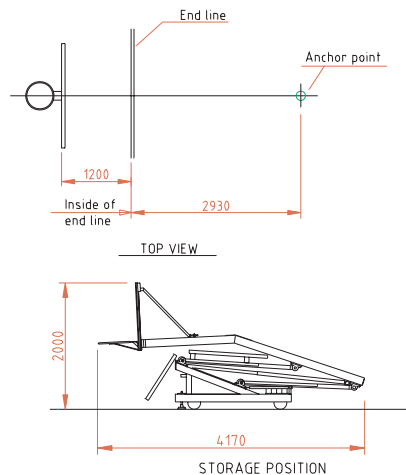
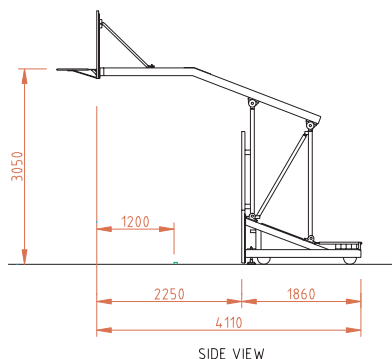
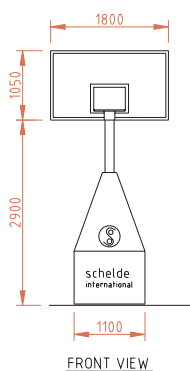
Supplement for double rear wheels for Clubmaster.

Per unit.

Article: S6.S0573

Neckpad

Article: S6.S0430



Clubmaster 165

Offers the same features as Clubmaster 225, however with reduced backboard projection of 165 cm. Designed for gyms where space outside the court is insufficient for accommodating Clubmaster 225 or SAM goals. (Standard padding colour is blue; other colours available at slight extra cost - see S6.S1101)

Clubmaster 165

Supplied with floor anchoring system. Framed tempered glass backboard with backboard padding. Pro Strength collapsible goal. Anti-whip net. 165cm projection. With floor pedestals. Per unit.
Article: S6.S0424

Clubmaster 165

Like S6.S0424 however equipped with 180 x 105cm see-through acrylic backboard mounted on double steel frame. With backboard padding. Per unit.
Article: S6.S0422

Clubmaster 165

Like S6.S0424 however equipped with rectangular white fibreglass backboard 180 x 105cm; includes backboard padding. Per unit.
Article: S6.S0423

Optional extras

Set of 2 side paddings for base frame of one Clubmaster.
Article: S6.S0440

Set of 2 positioning pins for one Clubmaster; avoids unit drifting on sprung wooden floors.

Clubmaster 165 also available with fixed ring.

Order: - S6.S0424F

- S6.S0422F

- S6.S0423F

Supplement for executing Super SAM/ SAM / Clubmaster backstop with DSF® (Dynamic Sub Frame) single step set-up mechanism instead of locking floor pedestals. Per unit.
Article: S6.S8000

Special colour padding available on demand for Super SAM, SAM and Clubmaster backstops.

Optional colours: green (A), black (B), red (E)

Article: S6.S1100

Supplement for double swivel wheels (under front of base frame) instead of single wheels for one SAM 245 or Clubmaster backstop. Per unit.
Article: S6.S0571

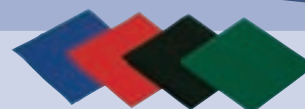
Supplement for double rear wheels for Clubmaster. Per unit.
Article: S6.S0573



Leverlift optional

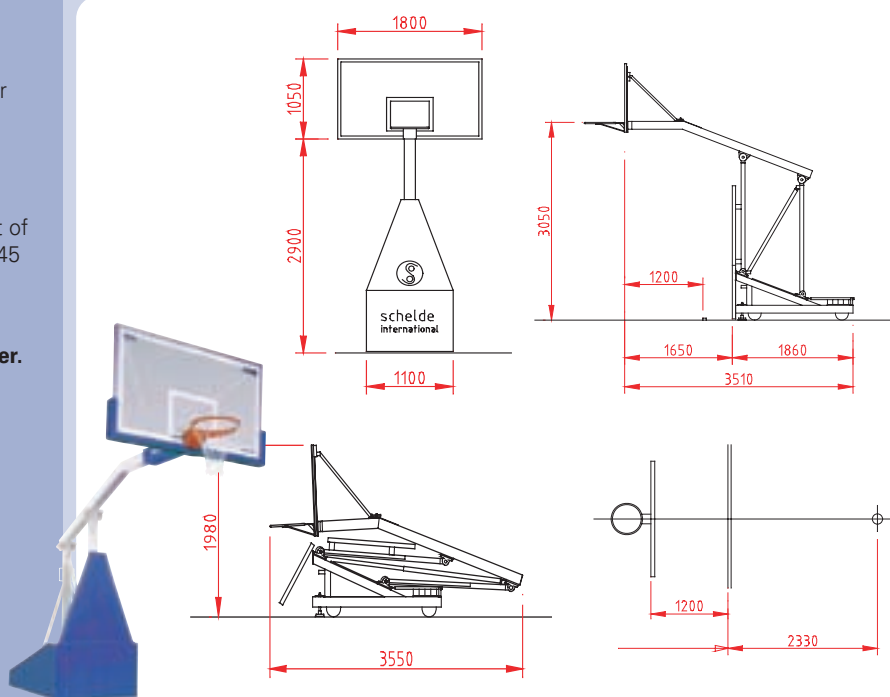


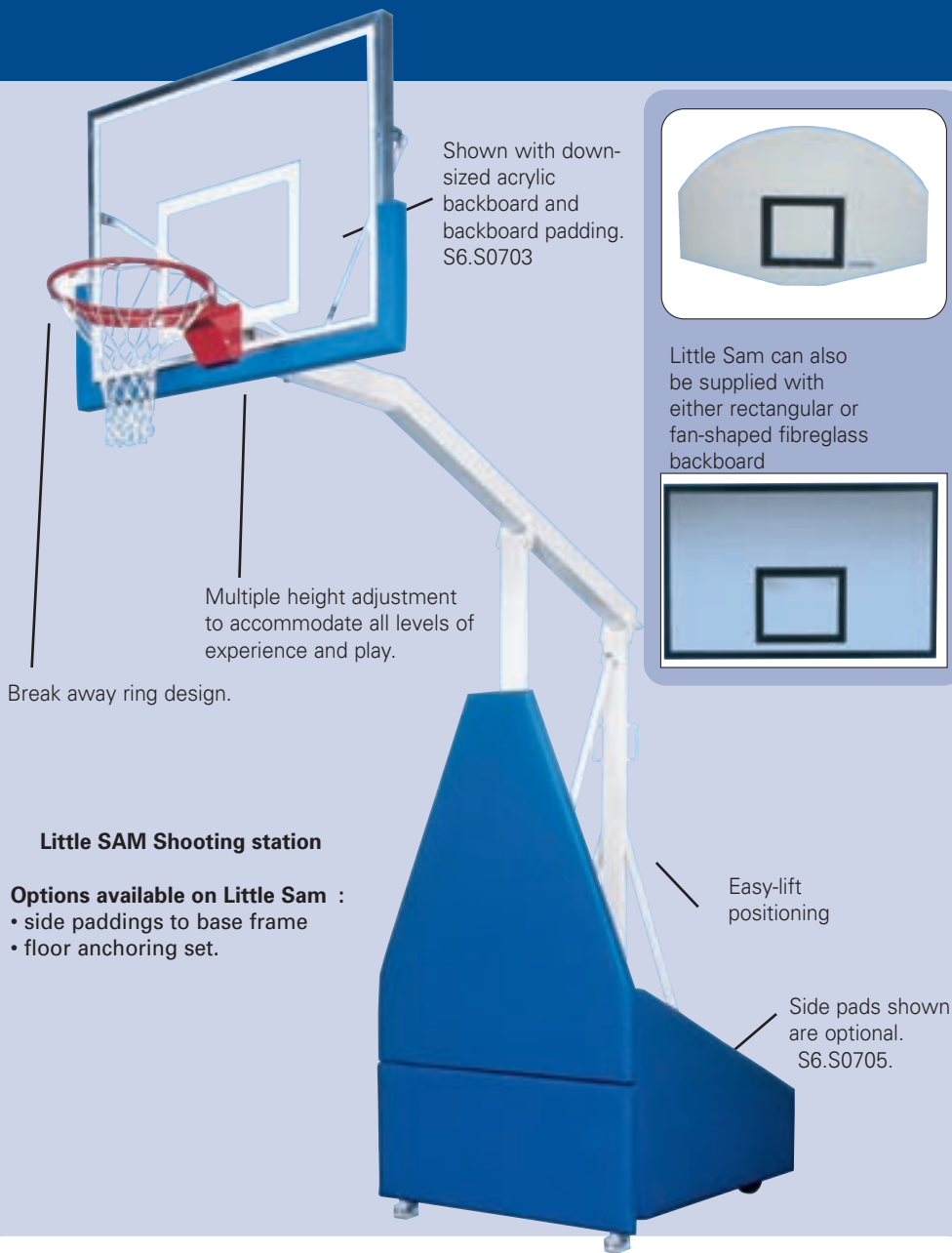
Positioning pins



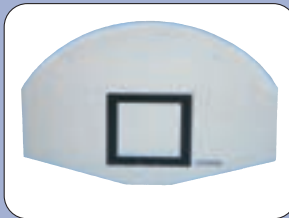
Special colour padding for Clubmaster backstop. Choose from (A) green, (B) black, (E) red. Per unit.

Article: S6.S1101

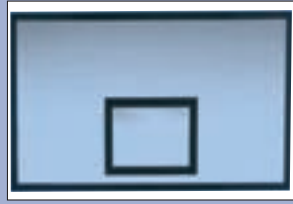




Shown with down-sized acrylic backboard and backboard padding. S6.S0703



Little Sam can also be supplied with either rectangular or fan-shaped fibreglass backboard



Multiple height adjustment to accommodate all levels of experience and play.

Break away ring design.

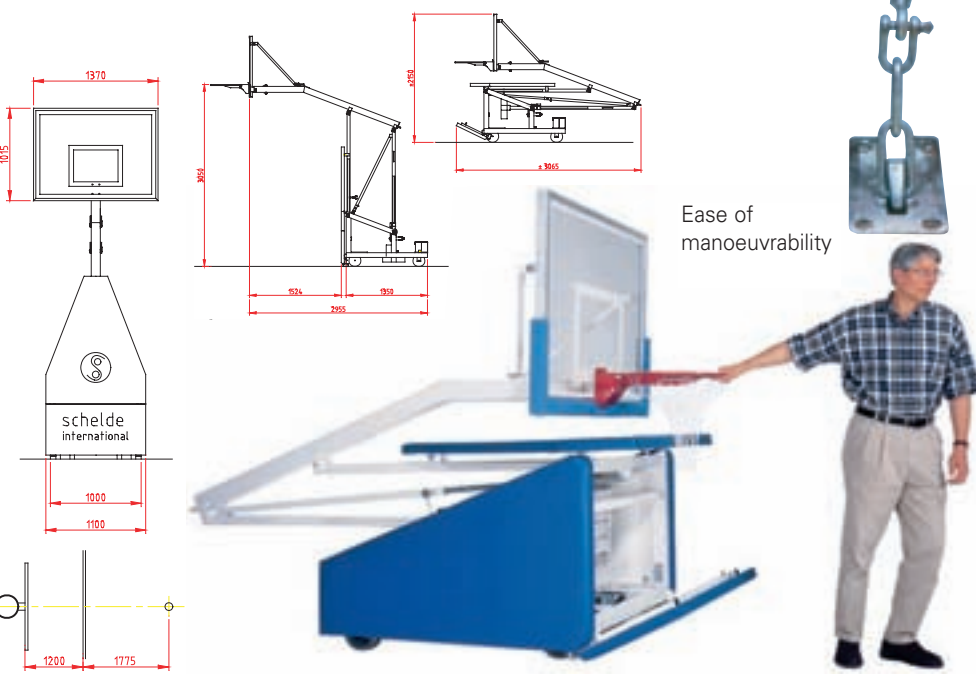
Little SAM Shooting station

Options available on Little Sam :

- side paddings to base frame
- floor anchoring set.

Easy-lift positioning

Side pads shown are optional. S6.S0705.



Ease of manoeuvrability

The Little SAM unit is specifically engineered and designed to accommodate a variety of needs. It is lightweight and has a small profile, so it can fit into places larger units won't go. And it is height adjustable up to 305cm to provide a suitable training station for youngsters of all ages.

Gravity Assist System – for perfect balance

The genius of Schelde's patented Gravity Assist System is in the simplicity of the operating mechanism, which is counterbalanced so perfectly that no assist device is needed at all! It is the very simplicity of this system that insures years of trouble free operation.

Little SAM

Designed as a highly portable shooting station for camps, clinics and practice sessions, Little SAM is also strong enough for spirited competition, including limited dunking. When price, space, or both are prime considerations, Little SAM provides the look and quality of a standard full-court system in a compact unit that is easy to move and set up. The adjustable rim height allows for teaching and play situations over the wide range of age and ability levels. Backboard projection at regulation play height is 152cm.

Little SAM

Equipped with rectangular fibreglass backboard 120 x 90cm, recreational breakaway ring and regulation net. No backboard padding. No floor anchor. No side paddings. Per unit. Article: S6.S0701

Little SAM

Like S6.S0701 however equipped with fan-shaped fibreglass backboard 120 x 90cm. Per unit. Article: S6.S0702

Little SAM, like S6.S0701 however equipped with down-sized see-through acrylic backboard 120 x 90cm and backboard padding. Per unit. Article: S6.S0703

Optional extras

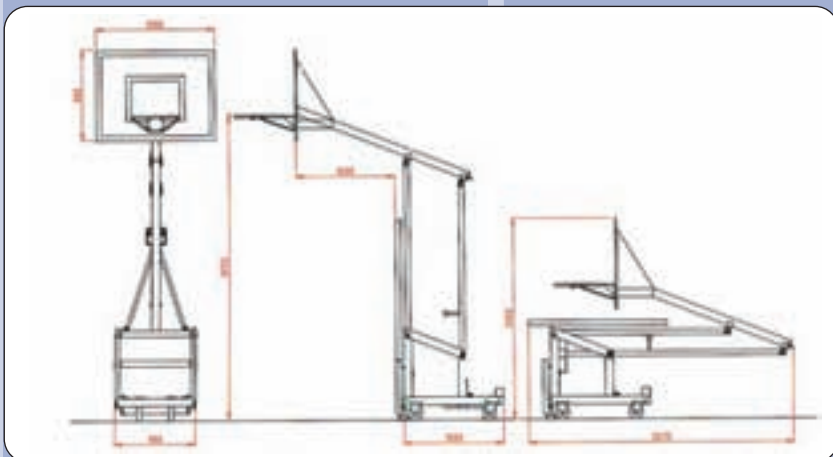
Set of 2 side paddings for base frame of one Little SAM; per set. Article: S6.S0705

Floor anchoring set for Little SAM.

Per unit. Article: S6.S0577

Little SAM

As S6.S0701 however with glassboard 8mm thick, dimensions 180 x 105cm. Article: S6.S0721



1. MINI SAM

Equipped with rectangular fibreglass backboard 120 x 90cm, recreational breakaway ring and regulation net. Per unit.
Article: S6.S0710

MINI SAM

Same as S6.S0710 but with fan-shaped fibreglass backboard 120 x 90cm. Per unit.
Article: S6.S0715

Side paddings for Mini SAM.

Set of 2 side paddings for base frame of one MINI SAM, per set.
Article: S6.S0716

Floor anchoring set

Hook, chain and floor anchor, for immobilizing 1 Little SAM / mini SAM. Per unit.
Article: S6.S0577

Cover for Mini SAM.

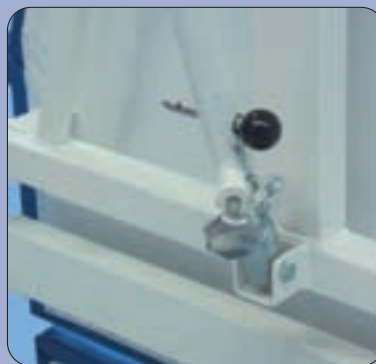
For outdoor use
Article: S6.S0717

MINI SAM

Mobile training basketball backstop. Compact, rollable & folding basketball backstop. Not suitable for competition. Counterweights are incorporated and, together with a telescopic rod, assist the folding operation. Multiple height adjustment up to regulation ring height (305cm). Backboard projects 190cm. when at full height. Front unit is equipped with impact protection padding. Unit has 4 wheels, of which 2 are directional. Rectangular backboard is made of fibreglass-enveloped plywood 1200 x 900 x 20mm. Recreational breakaway ring and regulation net. Without backboard padding, nor side padding, nor floor anchoring set (all these are separately available).
Article: S6.S0710

2. S6.S0710/100: as S6.S0710 but projection 100cm.

S6.S0715/100: as S6.S0715 but projection 100cm (not pictured).



Mobile shooting station



Silver Slammer

Mobile and height adjustable shooting station, height 260 and 305 cm, comes with a fan shaped fibreglass backboard and dunk ring. Backboard projection fibreglass 29 cm. includes a counterweight 45kg. and floor fixation. (excl. floor socket or anchor.) Padding not included. Wheeled. Spring - amited for easy height adjustment. Storage height 240cm. Article: S6.S0506

Padding set for Silver Slammer

Article: S6.S7815

