

Basketball backstops



World top level basketball requires extremely strong and reliable equipment, capable of taking the abuse that it is continually exposed to. We are proud to be the world's number one in designing and manufacturing professional basketball backstops, with project references around the world. Olympic Games, NBA and NCAA competitions, World Championships, Final Four tournaments, etc. Whether portable, ceiling or wall-mounted, the same expertise and craftsmanship goes into every single unit we build.

FIBA approved and recommended



European championship, Sweden



Toyota Centre, Houston



SAM® : The standard in Basketball Systems



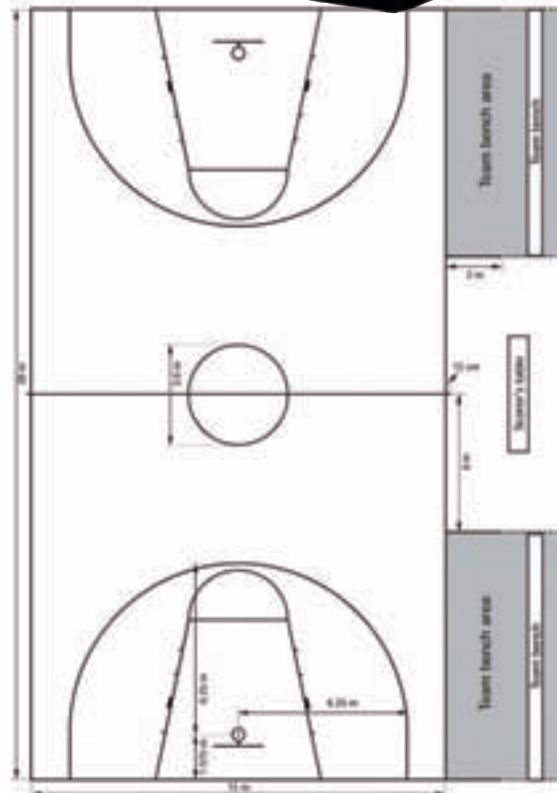
The often-imitated Schelde Spring-Assisted Mechanism (SAM) is the standard for durability and ease of set-up. Its correct design geometry results in a perfectly counterbalanced unit that simplifies set-up and completely eliminates concerns about spring stress or wear.

SAM, Schelde's world-famous portable folding basketball backstop, is the ORIGINAL spring-operated single beam portable backstop designed and developed by our own engineers. One person can raise or lower the unit to the desired height in just a matter of seconds. Moving the unit to and from its storage position is made easy by the large, wide-tread wheels (fixed wheels at the rear, swivel wheels in front).

The spring-operated lifting design incorporates special steel springs. All pivots are lifetime greased ball bearing assembled, for superior alignment and durability. The unit comes complete with a back anchor system, and with 2 concealed front position pins which assist in correctly positioning the unit. Locking the unit in place is easy by means of two front pedestals with heavy duty rubber front pads, which are manually raised and lowered by means of a ratchet tensioner.

Alternatively, the unit can be equipped with our patented DSF – Dynamic Sub Frame, whereby it is locked in place automatically as the unit is raised to play position.

An integral wire channel in the backstop allows for concealing shot clock wiring as well as other wiring, such as for video or sound equipment.





1. Glass-free direct mount rim attachment

Schelde Main Court systems feature the direct mount rim design. The rim attaches to the metal plate in the backboard which is connected to the main beam. There is no glass behind the plate – and no bolts pass through the glass – so dunks do not stress the glass at all.

Patent nr. 6053826

2. Pro-Action™ 180° dunking

Patented FIBA approved dunk ring, with adjustable “positive locking mechanism” without hooks for net fixing. 3 Years guarantee.

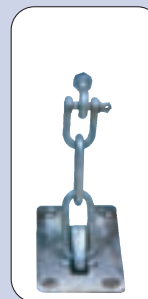
Article: S6.S2025

See page 80-83 for backboards and rings.



Standard position pedestals

Locking pedestal feet are ratchet operated.



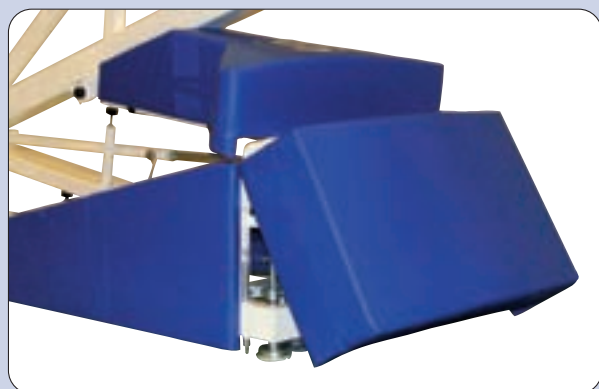
Rear anchor standard



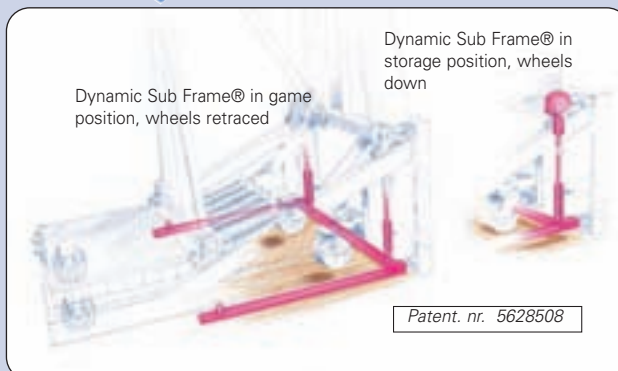
Telescopic bar with double safety locking system



New!



Full 20cm of padding in the impact area



Dynamic Sub Frame® in game position, wheels retracted

Dynamic Sub Frame® in storage position, wheels down

Patent. nr. 5628508

SAM and CLUBMASTER backstops also available with the DSF single set-up mechanism (see further).

The official basketball backstop of the

Super SAM

All the features of SAM 325 built into a longer base frame, with an extra stabilizer cross member in the base, and featuring our patented DSF (Dynamic Sub-Frame) one-step set-up system.

Integrated led strip available (optional)

Reinforced Frame – built to last Triple support beams and heavy-duty cross members add strength and durability.

Evenly Counterbalanced No weight carts or other devices needed. Superior design results in a unit in which all ballast weight is a permanent element.

In length extended base frame

Rear anchor standard.

Full perimeter tubular steel frame protects the backboard from stress.

180° Pro Action dunk ring on all Super SAM.

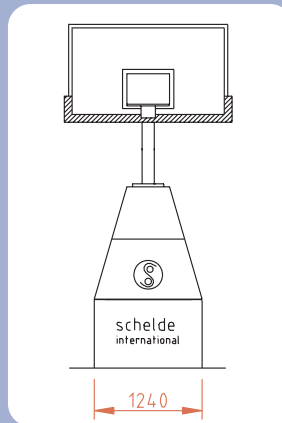
325cm clearance space meets or exceeds safety standards for international play.

Full 20cm of padding in the impact area.



Double swivel castors in front, triple castors in the rear, aid mobility and minimize stress on floor surfaces; special castors available for synthetic floors.

Sydney 2000 Olympic Games



Options:

Special colour available on demand.

Optional colours: green (A), black (B), red (E)

Article: S6.S1100

Super SAM

Super SAM, similar to S6.S0527 but executed with extended base frame and additional cross member in base frame for ultimate stability, and with patented DSF® Dynamic Sub Frame single step set-up mechanism. 6 fixed and 4 swivel wheels for unparalleled load distribution. Per unit.

Article: S6.S0530

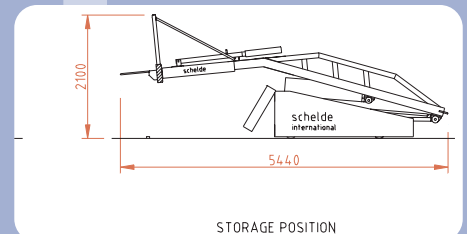
Patented Dynamic Sub Frame® (DSF) for perfect balance Standard on Super SAM

Schelde's DSF system automatically positions the unit at proper playing height, and distributes weight through its U-shaped sub frame to create a positively balanced system. Other systems require time-consuming levelling procedures using pedestal feet that concentrate weight on much smaller areas. This often results in vibration, loosening and constant readjustment, and can be particularly hard on synthetic and portable floors.

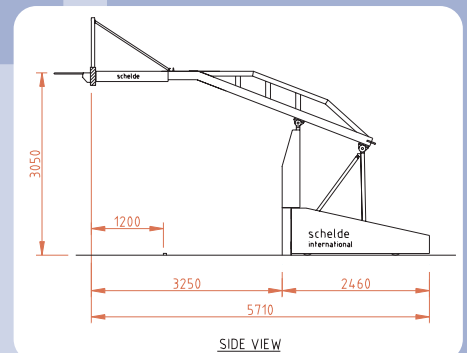
Optional:

Extra spring built into (Super) Sam for compensating weight of shot clock.

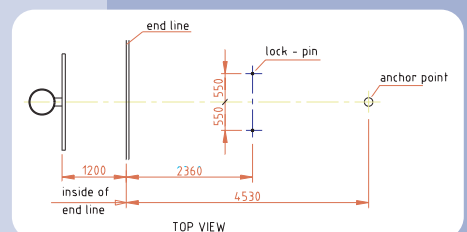
Article: S6.S0572



STORAGE POSITION



SIDE VIEW



TOP VIEW

SAM® : the standard in basketball systems

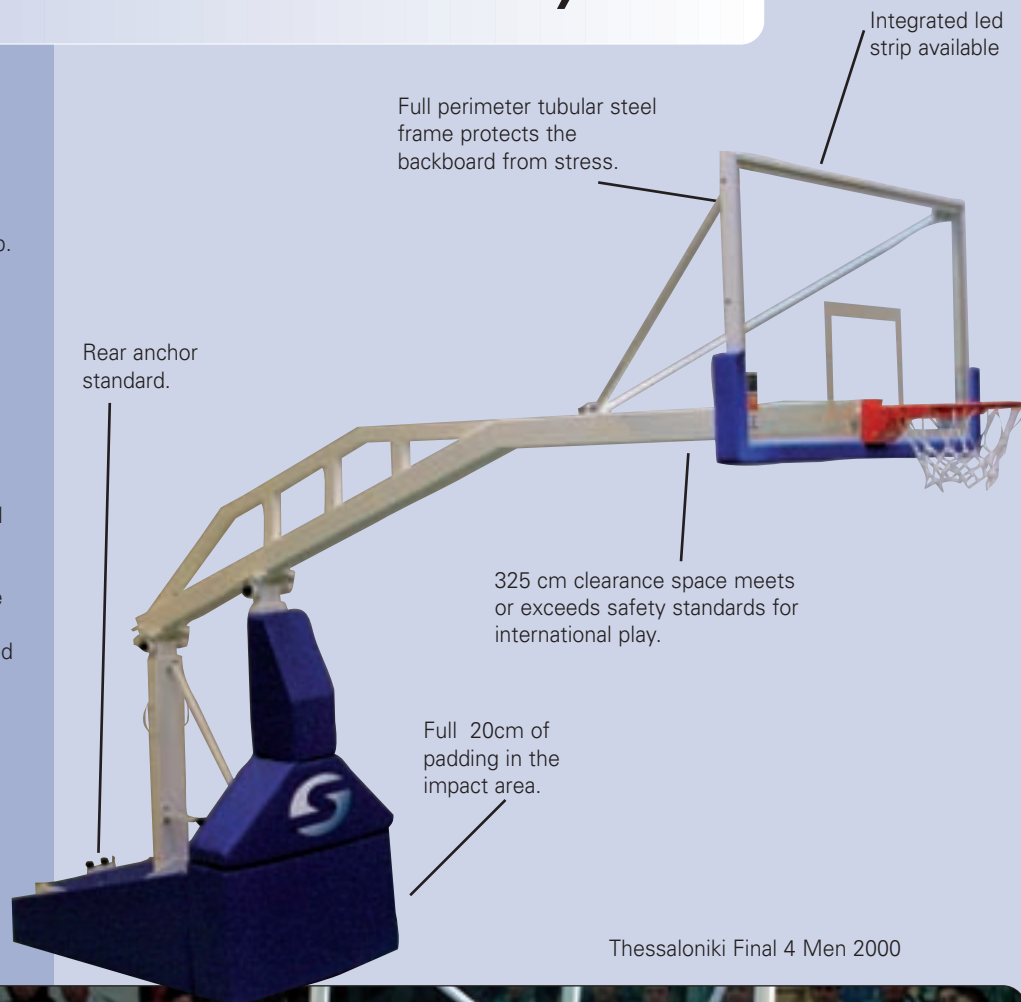
SAM 325

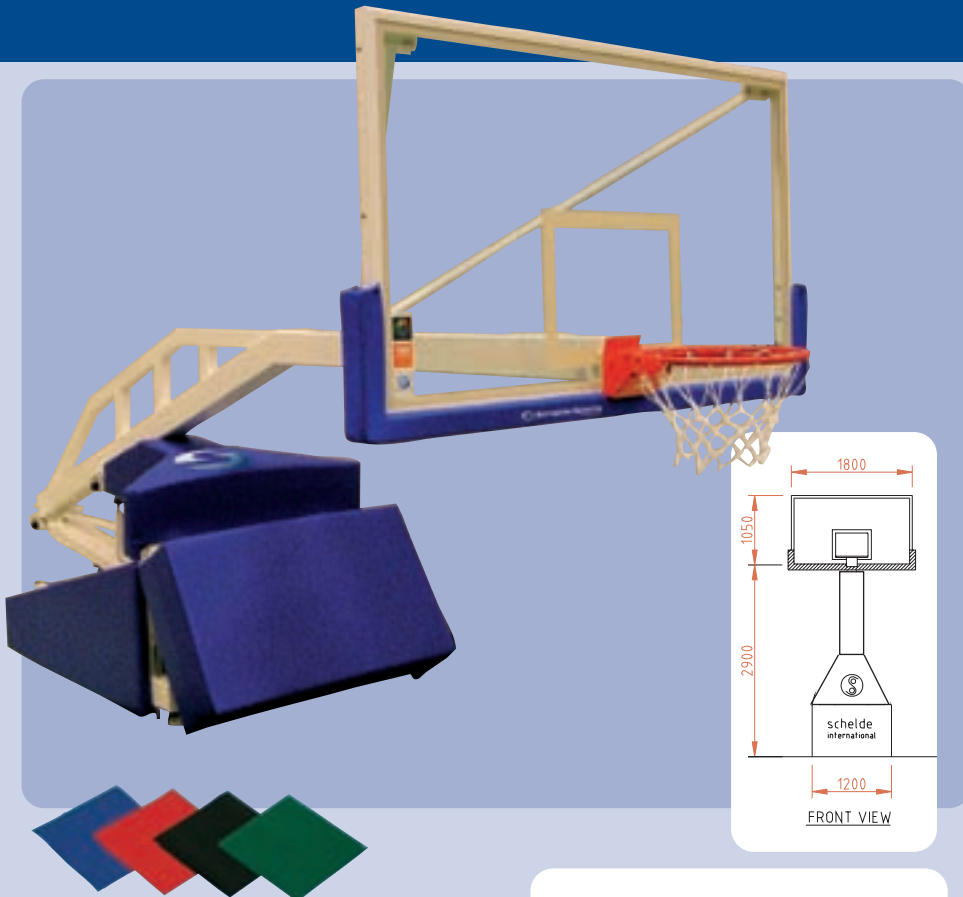
The often-imitated Schelde Spring-Assisted Mechanism (SAM) is still the standard for durability and ease of set-up. Its correct design geometry results in a perfectly counterbalanced unit that simplifies set-up and completely eliminates concerns about spring stress or wear.

Meets and exceeds all requirements for top level competitions sanctioned by FIBA, NBA, NCAA. Often imitated but never matched. Project references on all continents of the globe.

Only a few minutes are needed to move a SAM from storage to game position – an operation that can easily be performed by a single person.

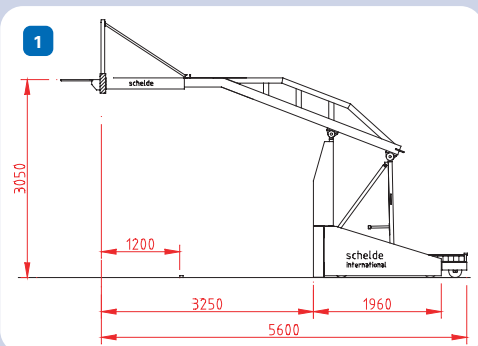
Leverlift optional





Special colour padding

For Super SAM / SAM / Clubmaster backstop frame. Choose from (A) green, (B) black, (E) red. Per unit. Article: S6.S1100



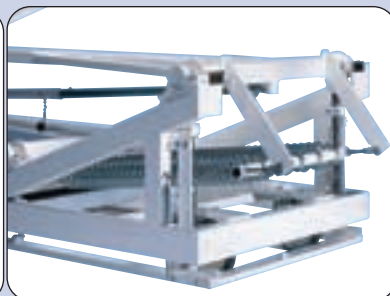
Patented Dynamic Sub Frame (DSF) - for perfect balance

Schelde's DSF system automatically positions the unit at proper playing height, and distributes weight through its U-shaped sub frame to create a positively balanced system.

Optional on SAM 325 - Patent. no. - 5628508 - Article: S6.S8000



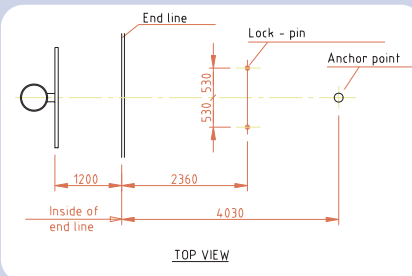
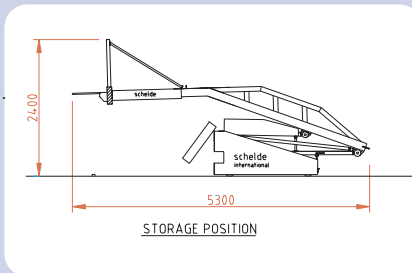
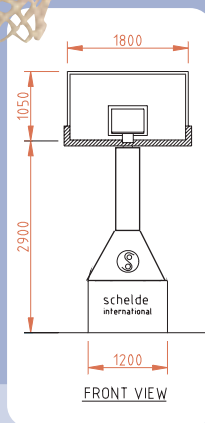
Dynamic Sub Frame down, wheels off the floor.



Dynamic Sub Frame up, wheels down



Leverlift Manual operation



SAM 325

FIBA approved and recommended. Supplied with floor anchoring system. Framed tempered glass backboard with Pro Strength collapsible goal. Anti-whip net. 325cm projection. With floor pedestals and positioning pins. Per unit. (Standard frame padding colour is blue; other colours available at slight extra cost – see S6.S1101 further down). Article: S6.S0527

Each SAM 325 unit has 6 fixed (rear) wheels and 2 (front) swivel wheels, for floor protection and load distribution.

Optional extras

Weight cart

Attaches to rear of base frame. 300kg weight on 4 wheels Ø 200 x 50mm. The ideal solution where no floor anchoring is allowed. Increases length of base frame by 40cm. Per unit. Article: S6.S0570

Extra spring

Built into Sam for compensating weight of shot clock. Article: S6.S0572

Low storage version SAM 325

Supplement for executing SAM 325 backstop in a low storage version (height stored 210cm). Includes extra gas spring for assisting the initial lift. Per unit. Article: S6.S0579

Dynamic Sub Frame

Supplement for executing SAM / Clubmaster backstop with DSF® single step set-up mechanism instead of locking floor pedestals. Per unit. Article: S6.S8000

Double swivel wheels

Under front of base frame instead of single wheels for one SAM 245 or SAM 325 backstop. Article: S6.S0571

Shorter base frame

In case of insufficient space, max. 30cm shorter base frames are available. Price on application.

Leverlift

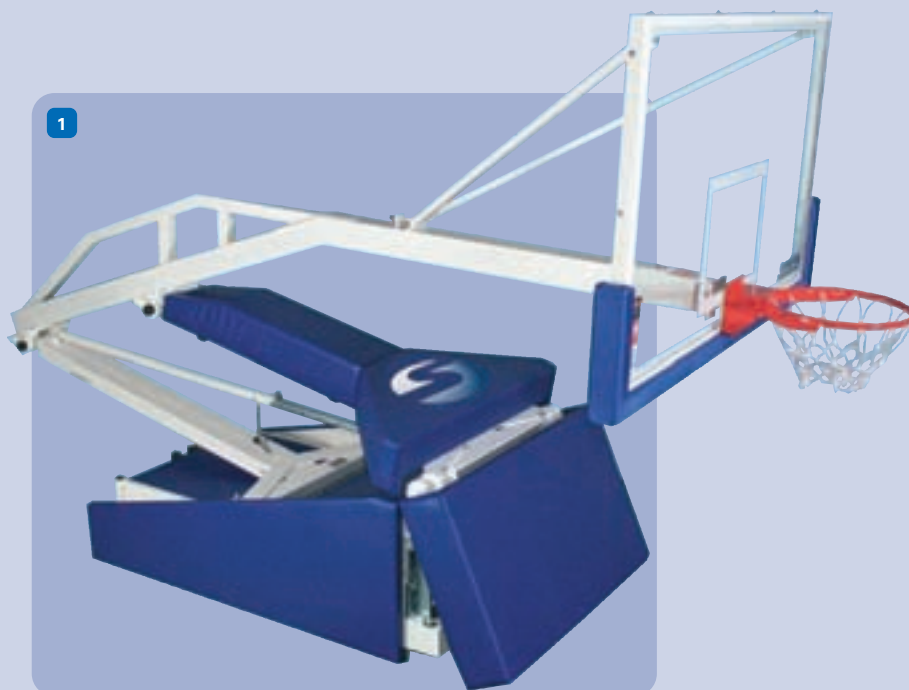
Manual operation Article: S6.S0574

SAM[®] 245

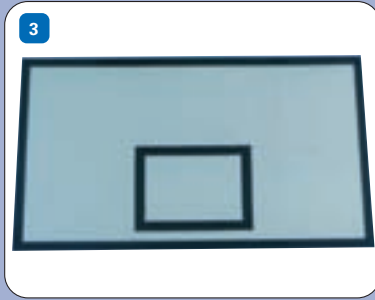
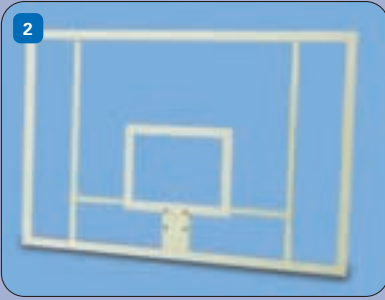
Meets and exceeds all requirements for top level competitions. Sam 245 has been designed and engineered to be a top competition model for use in arenas and gymnasiums where the larger SAM 325 or SUPER SAM will not fit or is not needed. As with all Schelde portables, SAM 245 is fully height adjustable, for use with any age group or skill level.

The SAM 245 offers the same Glass-Free Direct Mount Rim Attachment feature as the SAM 325, allowing the goal to be directly mounted to the main support beam.

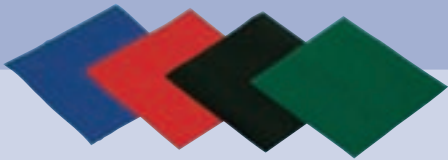
Leverlift optional



American Sports Centre, Anaheim, California
22 telescopic volleyball sets, 28 Sam 245 basketball backstops

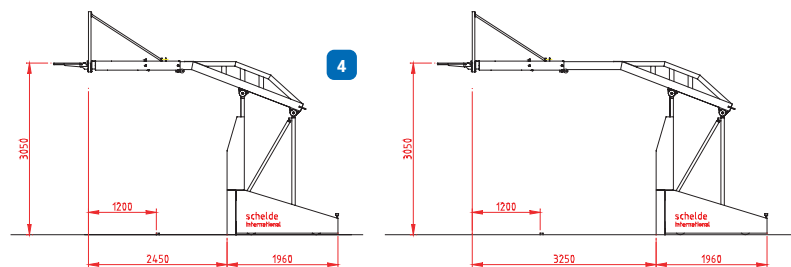
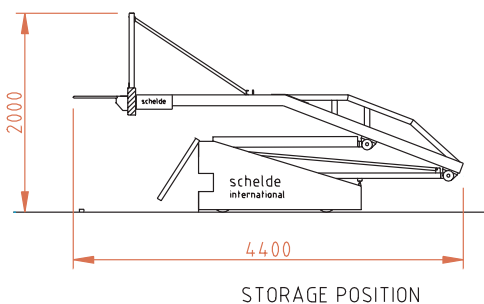
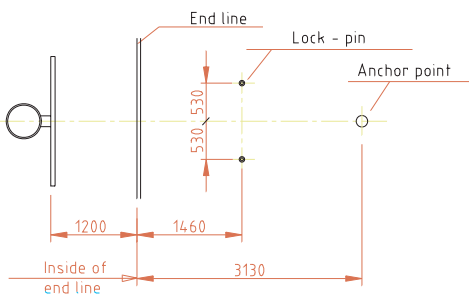
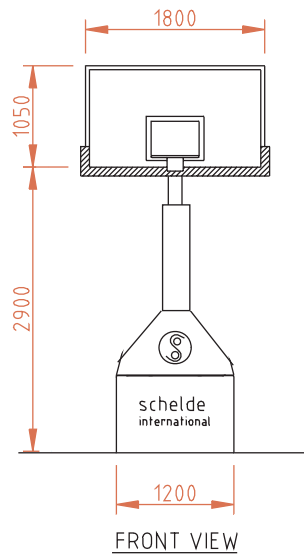
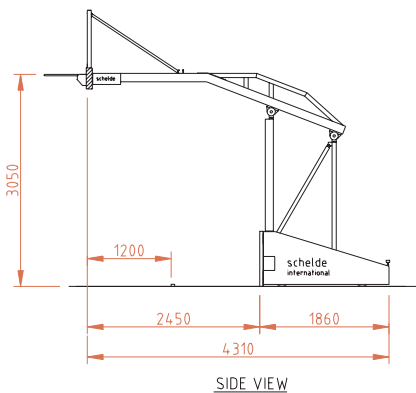


As a cheaper version Sam 245 can also be supplied with either see-through acrylic or fibreglass backboard.

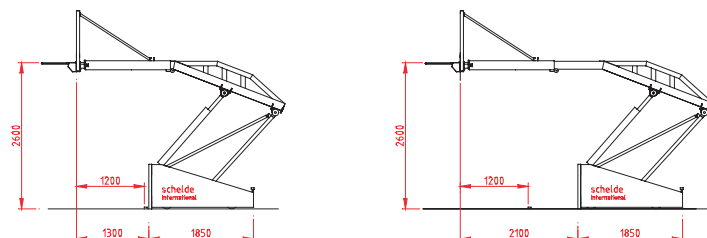


Special colour padding for SAM / Clubmaster backstop. Choose from (A) green, (B) black, (E) red. Per unit.

Article: S6.S1101



SAM 325/245 - M.A.S. Patent no. 5772167



1. SAM 245

Supplied with floor anchoring system. Framed tempered glass backboard with backboard padding. Pro Strength collapsible goal. Anti-whip net. 245cm projection. With floor pedestals and positioning pins. Per unit.
Article: S6.S0519

2. SAM 245

Like S6.S0519 however equipped with 180 x 105cm see-through acrylic backboard mounted on double steel frame; includes backboard padding. Per unit.
Article: S6.S0514

3. SAM 245

Like S6.S0519 however equipped with rectangular white fibreglass backboard 180 x 105cm; includes backboard padding. Per unit.
Article: S6.S0513 Price on demand

4. Multi Adjustment System for SAM 245

Supplement for allowing the main beam to extend to 325cm projection for main court use, and retract to 245cm extension for side-court use where space is restricted. Per unit. Patent no. 5772167. Article: S6.S9000

Optional extras

Leverlift

Manual operation
Article: S6.S0574

Manual DSF

Supplement for executing SAM / Clubmaster backstop with DSF® (Dynamic Sub Frame) single step set-up mechanism instead of locking floor pedestals. Per unit.
Article: S6.S8000

Weight cart

Attaches to rear of base frame. 300kg weight on 4 wheels Ø 200 x 50mm. The ideal solution where no floor anchoring is allowed. Increases length of base frame by 40cm. Per unit.
Article: S6.S0570

Double swivel wheels

Under front of base frame instead of single wheels for one SAM 245 or SAM 325 backstop.
Article: S6.S0571

Extra spring

Built into Sam for compensating weight of shot clock. Article: S6.S0572