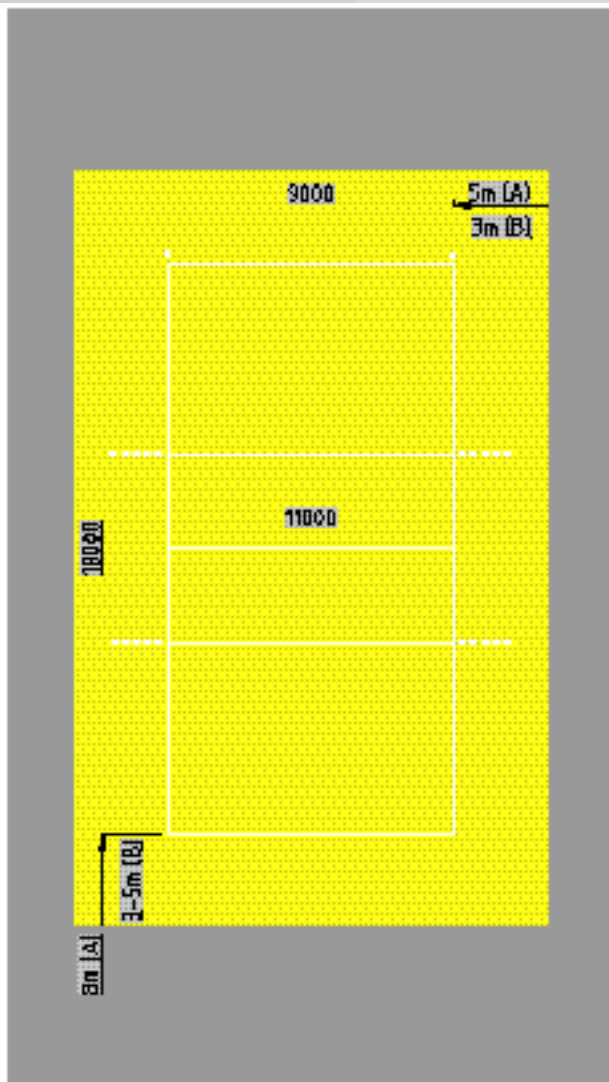


108 Volleyball

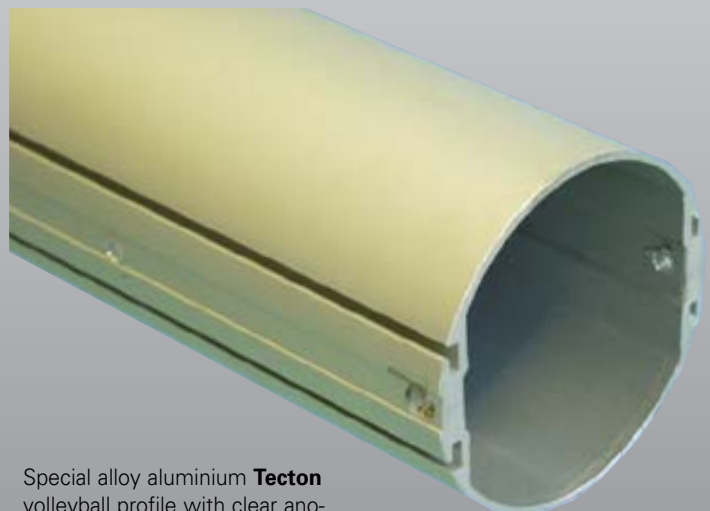
Conform to EN 121

Tecton volleyball posts are made of a lightweight yet very strong alloy, with clear anodized finish. Outer diameter 100 mm. The posts are removable in floor sockets, and have protective top and bottom caps. Schelde International offers a solution to anyone's needs and budget. Multi-court centre posts are available to support two nets of adjacent courts at the same or different heights, and adjust in seconds. Schelde volleyball systems definitely are the fastest to set up and the least complicated to operate in the market today.

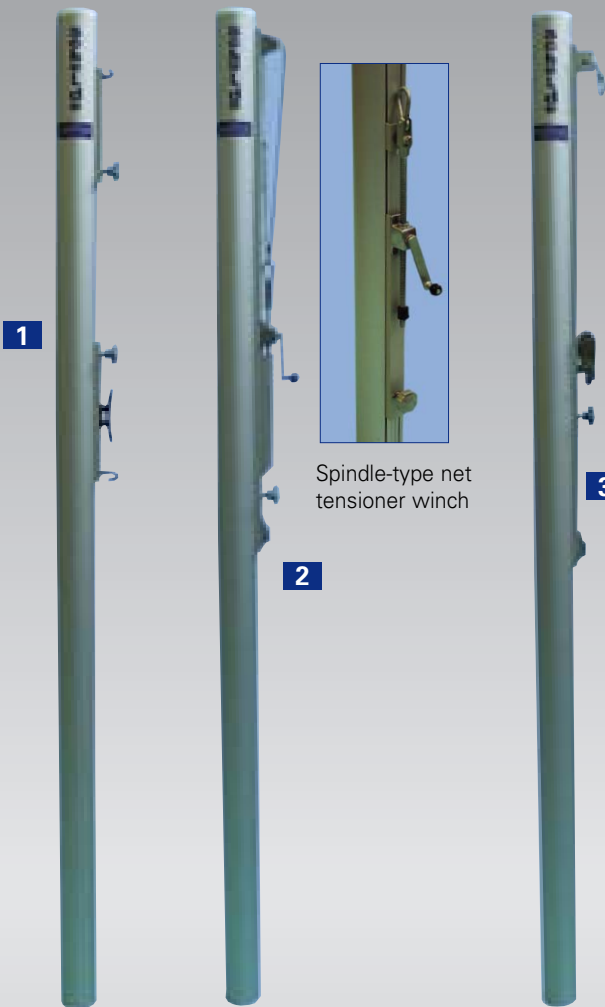


VOLLEYBALL MINIMUM SAFETY AREA

A - Internal Head
B - Main Head



Special alloy aluminium **Tecton** volleyball profile with clear anodized finish.



1

2



Spindle-type net tensioner winch

3



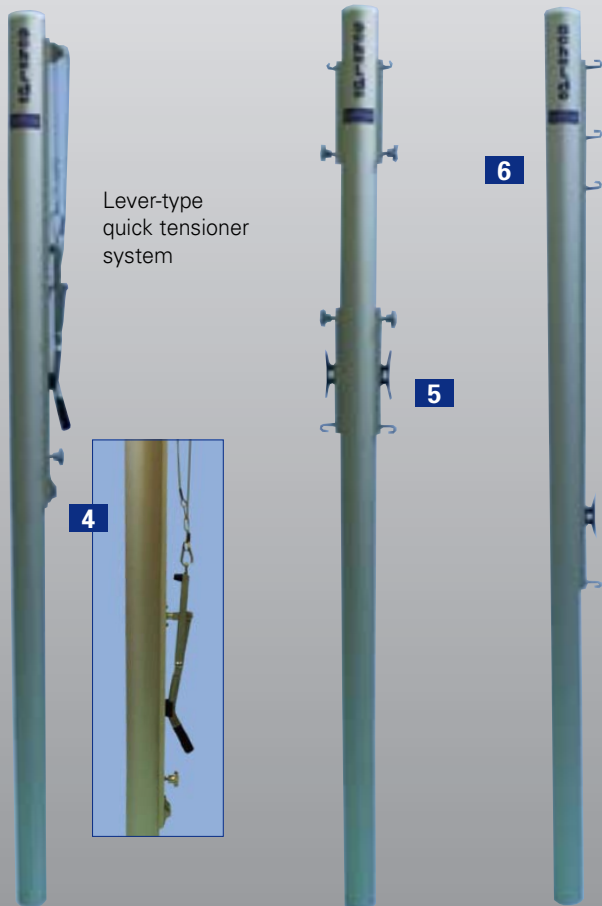
Ratchet-type belt tensioner



NEW! Lever-lock on all volleyball posts



Collegiate 2000 system



4

Lever-type quick tensioner system

5

6

7



Collegiate 2000 system with side slides

Our best-selling, most versatile system, well suited for any type of facility. Probably the most easy-to-use system in the world. Very lightweight, so anyone can move the posts with little effort, yet so strong it will withstand a great many years of practice and play. Stepless net height adjustment by means of sliding rails.

1. Collegiate 2000 post with net attachments

Per unit.
Ref. no. S6.S7301

2. Collegiate 2000 post with net attachments and spindle-type net tensioner winch

Per unit.
Ref. no. S6.S7302

3. Collegiate 2000 post with net attachments and ratchet-type belt tensioner system.

Per unit.
Ref. no. S6.S7304

4. Collegiate 2000 post with net attachments and lever-type quick tensioner system.

Per unit.
Ref. no. S6.S7304A

Centre posts with dual net attachments for adjacent courts:

5. Collegiate 2000 system with net attachments at both sides.

Per unit.
Ref. no. S6.S7305

3 fixed net height posts

Tecton posts have 3 fixed net height settings (men, women, youth). The use of stainless steel hooks makes this also the ideal post for outdoor use in any climate. Use with S6.S7510 separate pulley-disc tensioner system.

6. Tecton volleyball post

With 3 fixed net hooks. Per unit.
Ref. no. S6.S7303

Net tensioner system for S6.S7303

7. Loose net tensioning system

Nylon rope with 1-2 pulley discs, for use with posts that do not have a tension system incorporated. Also the trouble-free system to use on outdoor courts. Per unit.
Ref. no. S6.S7510

Floor sockets: see page 112.



International telescopic system

Easy-Glide winch features hardened-steel gears to ensure smooth, powerful net tensioning operation.

Height settings visible through a convenient in-post viewer. Infinite net height settings are possible; telescopic action is aided by an internal spring mechanism that minimizes resistance when changing the net height. This is the truly affordable system for high level play, whilst equally offering all the adjustment possibilities required for women's and youngsters' competition. Schelde's Multi-Court Centerpost supports two nets at the same or different heights, and adjusts in seconds with little disturbance to the adjacent court.

1. International post

With net attachments. Per unit.
Ref. no. S6.S7330

2. International post

With net attachments and spindle type net tensioner winch. Per unit.
Ref. no. S6.S7331

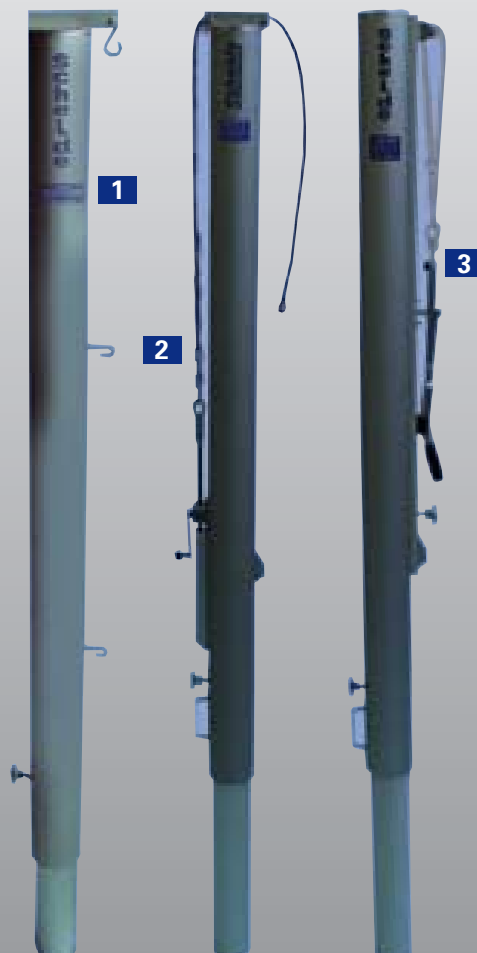
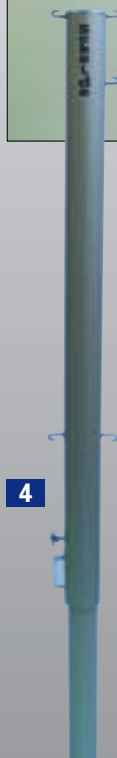
3. International post

With net attachments and lever type quick tensioner system. Per unit.
Ref. no. S6.S7335

4. Center posts with dual net attachments for adjacent courts:

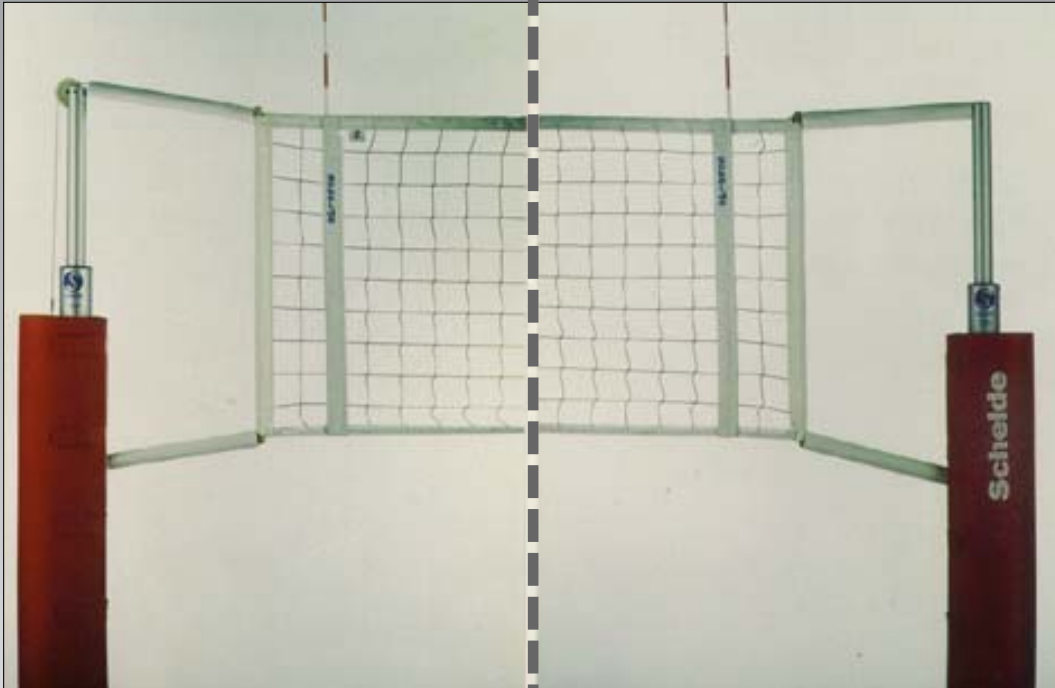
International post

With net attachments at both sides. Per unit.
Ref. no. S6.S7333



International telescopic system

Floor sockets:
see page 112.



Olympic telescopic system

Telescopic posts feature an internal mechanism that activates net adjustment with the turn of a handle, and permits fine net adjustments even with the net at full tension. Net tension achieved via very slim rectilinear spindle type winch. Used for many world and continental championships, olympic games, and major tournaments. Exclusive 10 cm diameter Tecton duraluminium poles provide an optimum combination of strength, weight and quality appearance.

1. Olympic post with net attachments.

Per unit.
Ref. no. S6.S7338

2. Olympic post with net attachments and net tensioner winch.

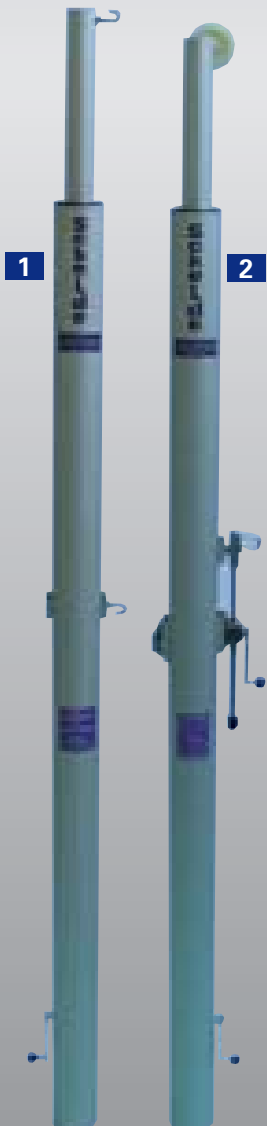
Per unit.
Ref. no. S6.S7339

3. PowRfloor R = High performance competition portable volleyballcourt

For more details see p. 124

Floor sockets: see page 112.

Olympic telescopic system



112 Volleyball

Wall profiles

For narrow gyms, or for multiple court set-ups in training venues. Tecton aluminium box profile, length 250 cm, for mounting onto the wall.

1. Wall profile

With multiple height net adjuster system. Per unit. Ref. no. S6.S7315

2. Wall profile

With multiple height net adjuster system and ratchet-type belt tensioner. Per unit. Ref. no. S6.S7317

3. Wall profile

With multiple height net adjuster system and lever-type quick tensioner system. Per unit. Ref. no. S6.S7319

The above wall profiles can also be recessed into the wall, for safety purposes. These are mounted into a U-shaped steel "box" designed to fully recess into the wall.

4. Recessed wall profile

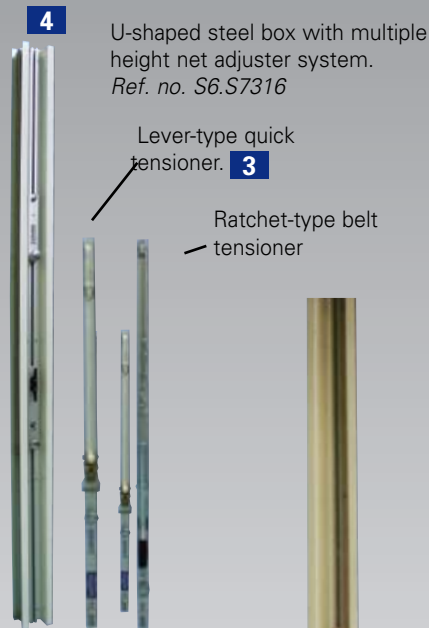
With multiple height net adjuster system. Per unit. Ref. no. S6.S7316

5. Recessed wall profile

With multiple height net adjuster system and ratchet-type belt tensioner. Per unit. Ref. no. S6.S7318

6. Recessed wall profile

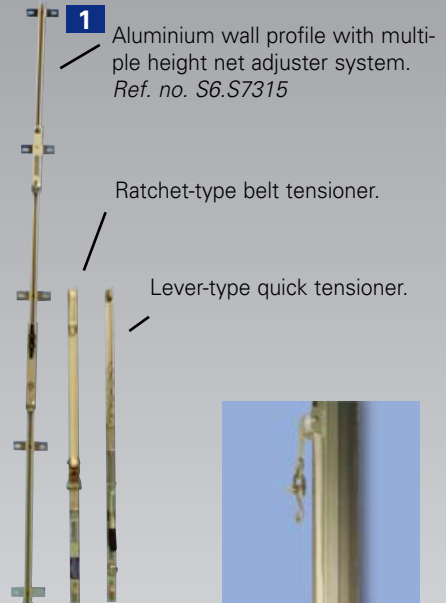
With multiple height net adjuster system and lever-type quick tensioner system. Per unit. Ref. no. S6.S7320



4 U-shaped steel box with multiple height net adjuster system. Ref. no. S6.S7316

Lever-type quick tensioner. 3

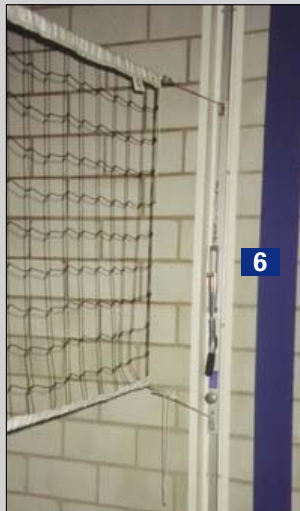
Ratchet-type belt tensioner 5



1 Aluminium wall profile with multiple height net adjuster system. Ref. no. S6.S7315

Ratchet-type belt tensioner. 5

Lever-type quick tensioner. 3



6

Lever-type quick tensioner
In recessed steel box. Ref. no. S6.S7320



5

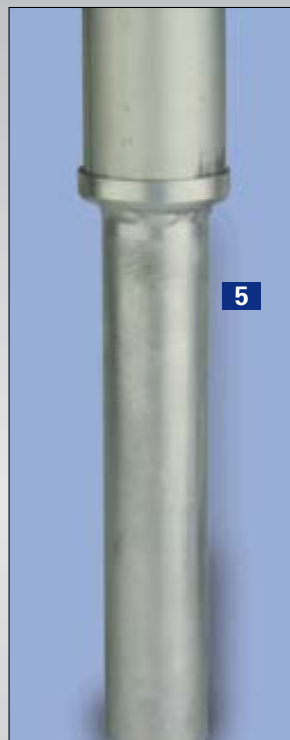
Ratchet-type belt tensioner
In recessed steel box. Ref. no. S6.S7318



2

Ratchet-type belt tensioner
On aluminium box profile. Ref. no. S6.S7317





Post paddings

1. Protection pad

For volleyball post, 200 cm high x 3 cm thick soft foam body with nylon-vinyl envelope cover. Easy and quick mounting with velcro straps. Standard colour blue, other colours available on request. Fits all single-sided posts. Per unit. Ref. no. S6.S7815

2. Protection pad

Ditto, but 2-piece model for center-posts. Per unit. Ref. no. S6.S7816

T-Base

Support base for floors that cannot accept traditional sockets (e.g. for 2nd floor gyms, or existing gyms where insertion of floor sockets is not feasible). If posts are ordered with T-bases (instead of with floor sockets), they will be factory-adapted to the correct size.

3. Portable T-base

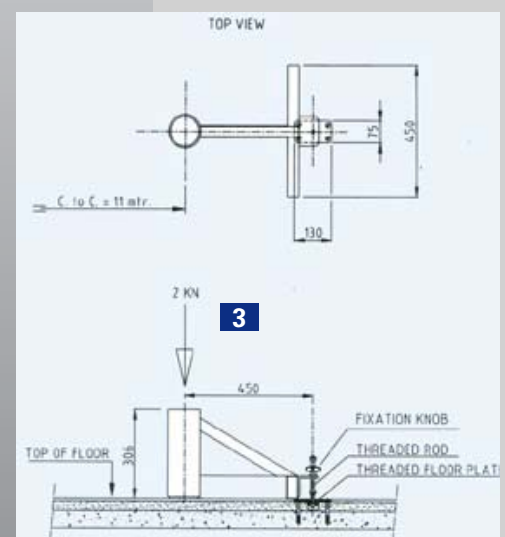
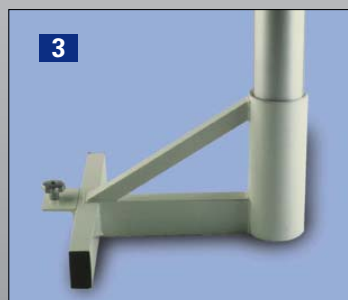
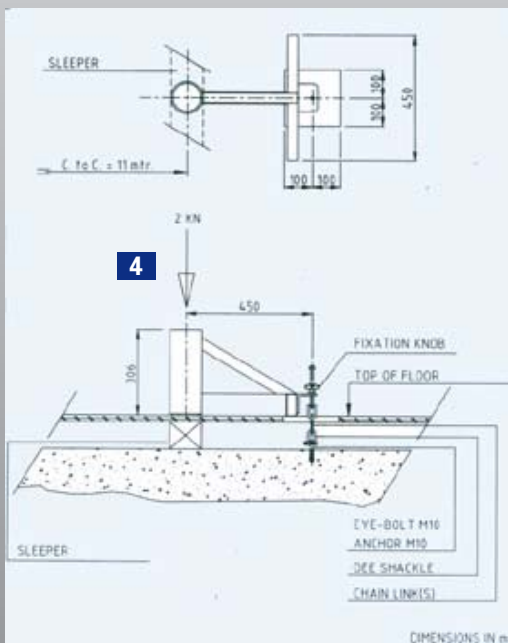
For 100 mm Ø Tecton game posts; white enamelled steel, with protective end caps. Supplied with fixing knob and threaded floor plate that needs to be anchored down in the floor. Per unit. Ref. no. S6.S7400

4. Portable T-base

For 100 mm Ø Tecton game posts; white enamelled steel, with protective end caps. Supplied with fixing knob, expansion plug with eyebolt M10, D-shackle and chain-link. For wooden floor. Per unit. Ref. no. S6.S7401

5. Custom Base

Customized footing built onto 100 mm Ø Tecton game posts, designed to match existing floor sockets. Per unit. (specify Ø and depth of existing floor socket). Ref. no. S6.S7405



Volleyball nets

1. Volleyball net

Competition net conform to FIVB rules, notless black nylon 2,5 mm, meshis 10 x 10 cm, steel suspension calbe in 9 cm. high top binding, 6 mm. nylon tension rope in 5 cm. binding below, inclusive of white side tapes. Three velcor straps at both sides allow for proper tensioning of the net toward the volleyball posts.

Ref. no. S6.S7505

2. Volleyball net

Competition, knotless black nylon 2,5 mm, meshes 10 x 10 cm, 9 cm. high top band and 5 cm. band at bottom of net, insewn side dowels, white side tapes, 6 mm nylon tension rope below, steel suspension cable in top binding. Dim. 9,5 x 1 m. Per unit.

Ref. no. S6.S7502

Practice net

Very strong, black polyethylene, meshes 10 x 10 cm, white side tapes. PVC clad galvanized steel suspension cable on top, polyethylene tension rope below. Dim. 9,5 x 1 m. Per unit.

Ref. no. S6.S7504

Net antennas and pockets

3. Reinforced fiberglass antenna

Red/white pattern in 10 cm blocks, length 180 cm. Per piece.

Ref. no. S6.S7809

4. Antenna pocket

Reinforced vinyl nylon polyester fabric, with insewn sleeve for antenna; length 100 cm, with 2 x 50 cm velcor strips for full height attachment. Per piece.

Ref. no. S6.S7807

5. Antenna pocket

As S6.S7807 but red/white blocks continued on the antenna pocket, as per FIVB rules. Per piece.

Ref. no. S6.S7808

Complete set of 2 antennas

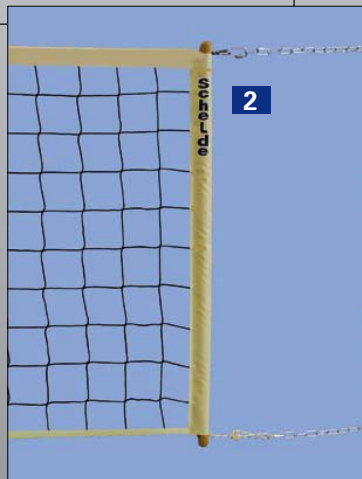
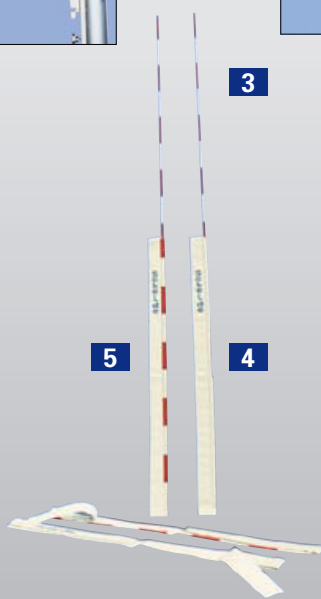
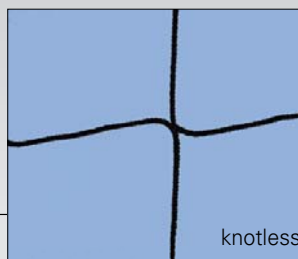
S6.S7809 and 2 pockets S6.S7807.

Ref. no. S6.S7801

Complete set of 2 antennas

S6.S7809 and 2 pockets S6.S7808.

Ref. no. S6.S7802



Molten

1. Competition ball

Size 5, Molten, white/red/green, chromed leather, soft touch, FIVB approved.

Ref. no. S6.S7600

2. Competition ball

Size 5, Molten, white/red/green, genuine leather, official FIVB dimensions and weight.

Ref. no. S6.S7601

3. Official competition

Genuine leather, FIVB approved.

Ref. no. S6.S7621

4. Top competition

Soft touch leather, FIVB approved.

Ref. no. S6.S7620

5. Official competition

Ultra touch, synthetic leather. Excellent playing characteristics.

Ref. no. S6.S7615

6. Competition ball

Soft touch synthetic leather, ideal for training and school use.

Ref. no. S6.S7622





Mikasa

9. MVL 200 world competition ball
Size 5, blue/yellow/white, FIVB approved.
Ref. no. S6.S7629

10. MV210 competition ball
Size 5, blue/yellow/white, FIVB approved.
Ref. no. S6.S7630

11. Official competition
Leather, VL 2001, FIVB approved.
Ref. no. S6.S7626

12. VL 200 leather top competition ball
FIVB approved.
Ref. no. S6.S7625

13. Training ball
Synthetic leather.
Ref. no. S6.S7627

14. Minivolleyball
Size 4, synthetic leather.
Ref. no. S6.S7628

Vega

15. Competition volleyball
Blue / white / yellow super soft, composite cordley material, butyl bladder. Official size and weight no. 5. Excellent softness and playability
Ref. no. S6.S7603

16. Super soft minivolleyball
Green / white / blue, composite cordley material, butyl bladder. Official size and weight no. 4.
Ref. no. S6.S7604

17. Ultra soft volleyball
Green / white / blue, new composite of PVC and PU synthetic leather, butyl bladder. Internal foam treatment on carcass. Official size no. 5.
Ref. no. S6.S7605

18. Rubber training volleyball
As S6.S7612 but size 4 for mini-volleyball.
Ref. no. S6.S7613

19. Top competition
As S6.S7602 but size 4 for mini-volleyball.
Ref. no. S6.S7610

20. Rubber training volleyball
Nylon wound, indoor/outdoor.
Ref. no. S6.S7612

21. Top competition
Soft touch, synthetic leather.
Ref. no. S6.S7602

Competition ball

As S6.S7622, however size 4 for mini-volleyball.
Ref. no. S6.S7623

7. Volleyball

Size 5, white rubber.
Ref. no. S6.S7616

Volleyball

Size 4, white rubber, for school use.
Ref. no. S6.S7624

8. Molten mini-volleyball

Ultra soft rubber in 4 attractive colours for school use, size 4.
Ref. no. S6.S.7617

116 Referee chairs

Referee chairs

1. Combination model

For volleyball and tennis, white enamelled metal, collapsible and rollable, height adjustable 183-215 cm, plastic seat and back, folding writing tablet, referee can sit or stand, non-skid floor protectors, transporter wheels. Per unit.

Ref. no. S6.S7701

2. Volleyball referee stand

For top level competition. Weighted metal triangular foot with height-adjustable (from 110 to 140 cm) platform for referee. Access ladder to the back. Wheeled base for transportation to storage area. Blue vinyl padding to base, upright, platform sides and railing. Championship model.

Ref. no. S6.S7704

3. Freestanding referee platform

Tubular steel construction, wheeled for easy transport, fitted with removable seat plank.

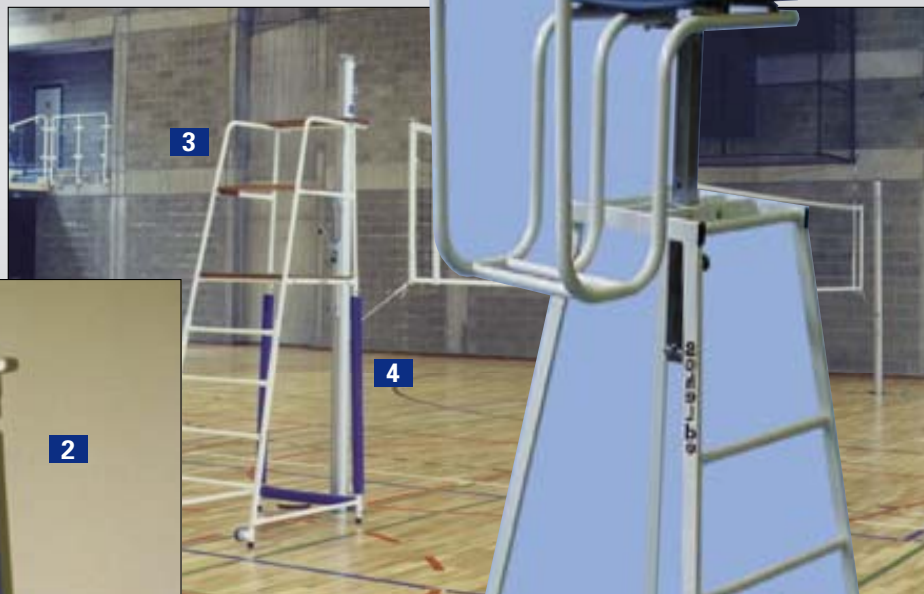
Meets FIVB requirements. Per unit.

Ref. no. S6.S7705

4. Protecting pads

For S6.S7705. Per set.

Ref. no. S6.S7710





1



2



Three positions for standing platform.



Storage capacity.



6

1. Referee stand RS 200

Lightweight tubular steel construction, adjustable height 110-140 cm, velcro strap fastening to volleyball post. Per unit.

Ref. no. S6.S7706

Protecting pads

For S6.S7706. Per set.

Ref. no. S6.S7707

2. American style referee

Stand RS 300, fully padded wooden side panels, height adjustable standing platform, 107-117-127 cm wheeled base. Compact model that takes a full set of volleyball posts with paddings for transport and storage inside the referee stand. Per unit.

Ref. no. S6.S7709

Refereeing equipment

3. Set of players' substitute boards

Wooden, numbered both sides 1-18, with carrying bag.

Ref. no. S6.S7720

4. Linesman flag - yellow

Synthetic handle and grip, in accordance with FIVB regulations. Per unit.

Ref. no. S6.S7724

5. Height measuring rod

Aluminium, with different height markings for volleyball, basketball, badminton, tennis and korfbal, length 350 cm.

Ref. no. S6.S8920

6. Volleyball buzzer with lamp

As per prevailing FIVB rules. Freestanding on foot, 220 V operated. With push-button for coaches to activate buzzer/lamp for requesting a time out.

Ref. no. S6.S6763

7. Volleyball scoreboard electronic

Ref. no. S13.NT2539

Text display

Integrated in top of volleyball scoreboard S13.NT2539 for showing team names, 21 characters (height of scoreboard 160 cm.)

Ref. no. S13.NT12121



7

S13.NT 2539

team scores		25 cm
period		20 cm
game clock		25 cm
set score		15 cm
team fouls		20 cm, counter
time-out		timer + dot counter
time-out		counter + timer
penalty		timer + timed dot counter
time-out		timer + dot counter
set / service		set score / dash
points		0 - 15 - 30 - 40 - A
sound signal		horn, aut. / man.
readable, rec. / max		110 m / 150 m
dim. h x w x d		135 x 200 x 10 cm
weight		50 kg
power supply		230 VAC
consumption		max. 240 W

3



4



5

